

A0 INSTALLATION DRAWING

IF THIS DOCUMENT IS PRINTED IN HARD COPY, IT IS FOR INFORMATION USE ONLY AND THEREFORE IS NOT SUBJECT TO UPDATING CONTROLS. ALWAYS REFER TO SOLIDWORKS VIEWER FOR LATEST ISSUE



FIRST ANGLE PROJECTION

THIS DRAWING IS CONFIDENTIAL AND IS SUPPLIED ON THE EXPRESS CONDITION THAT IT SHALL NOT BE LOANED OR COPIED OR DISCLOSED TO ANY OTHER PERSON OR USED FOR ANY OTHER PURPOSE WITHOUT THE WRITTEN CONSENT OF AP RACING LTD.

AP Racing
Wheler Road
Coventry
CV3 4LB
Tel: +44 (0)24 7663 9595
Fax: +44 (0)24 7663 9559
e-mail: sales@apracings.co.uk
Web site: HTTP://www.apracings.com

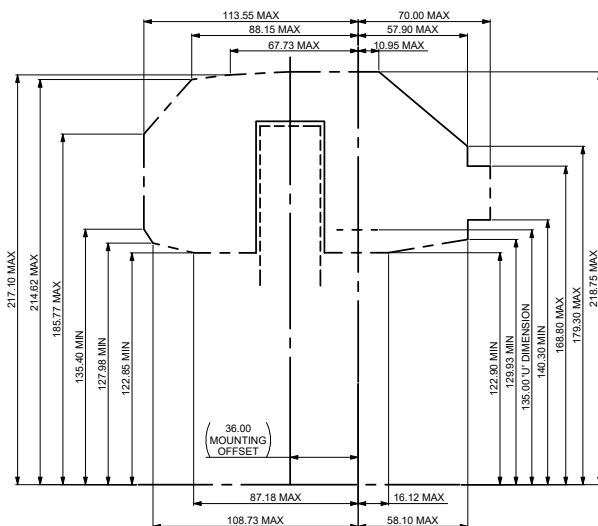
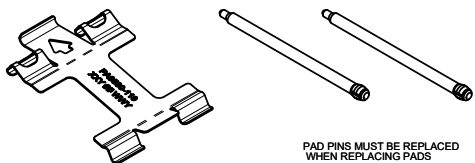
CALIPER SPECIFICATION	
PISTON AREA	14.3cm ² (PER PAD)
DISC DIAMETER MAX	28.6cm ² (TOTAL)
DISC DIAMETER MIN	380 (SWEEP DEPTH = 61.00")
DISC WIDTH MAX	CP9581-2-5S0## = 32.00
DISC WIDTH MIN (WORN CONDITION)	CP9581-6-9S0## = 28.00 CP9581-2-5S0## = 31.00 CP9581-6-9S0## = 27.00 (DIFFERENTIAL WEAR NOT TO EXCEED 0.50mm SIDE TO SIDE)
DISC ROTATION	ROTATING DISC MUST PASS SMALLEST PISTON FIRST**
WORKING PRESSURES	SEE DATA SHEET P14.384 (AVAILABLE FROM AP RACING CUSTOMER SERVICES)
DRY WEIGHT (LESS PADS)	3.20kg est.
DRY WEIGHT (INC. PADS)	4.40kg est.
PAD RETENTION	2 x FRICTION RETAINED PINS
RECOMMENDED WHEEL CALIPER CLEARANCE	4.00 (MIN)
RECOMMENDED PAD FRICTION MATERIAL	APF405
SEAL KIT	CP4527-DE
ANTI-RATTLE CLIP	CP9580-119
PAD RETAINING PIN	CP7715-114
ELVR COMPLIANCE	ALL MATERIALS AND COATINGS COMPLY WITH END OF LIFE VEHICLES (2000/53/EC)

AVAILABLE PART NUMBERS	
PART NUMBER	CALIPER POSITIONING
CP9581-2S0## / CP9581-6S0##	RIGHT HAND TRAILING (BEHIND AXLE)
CP9581-3S0## / CP9581-7S0##	LEFT HAND TRAILING (BEHIND AXLE)
CP9581-4S0## / CP9581-8S0##	RIGHT HAND LEADING (IN FRONT OF AXLE)
CP9581-5S0## / CP9581-9S0##	LEFT HAND LEADING (IN FRONT OF AXLE)
## = COLOUR CODE	

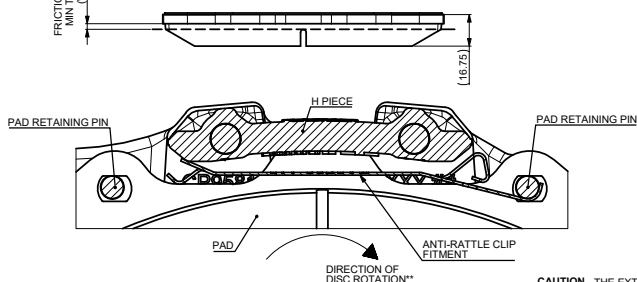
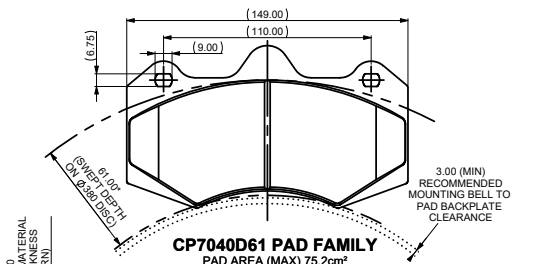
FOR AVAILABLE COLOURS AND FURTHER TECHNICAL INFORMATION, PLEASE REFER TO THE PRODUCT CATALOGUE, APRACING.COM OR CUSTOMER SERVICES.

Caliper Installed Position	Vehicle Configuration	
	Front Engine	Rear Engine
Front Axle Application	1440 kg (3170 lbs)	1670 kg (3680 lbs)
Rear Axle Application	2510 kg (5530 lbs)	2010 kg (4430 lbs)

1x ANTI-RATTLE CLIP AND 2x PAD RETAINING PINS INCLUDED (NOT FITTED)

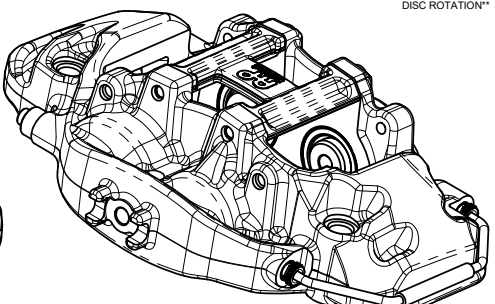
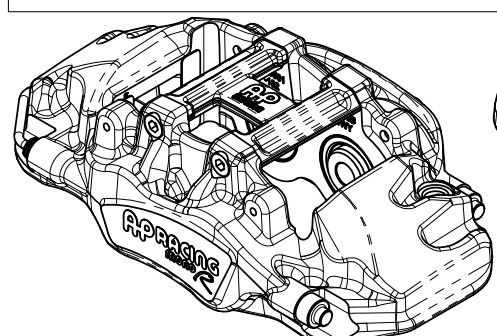
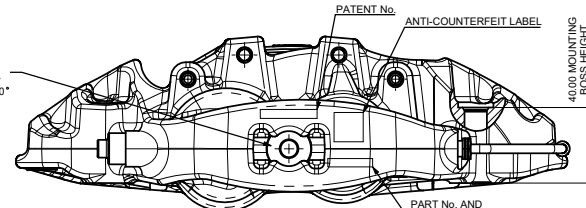
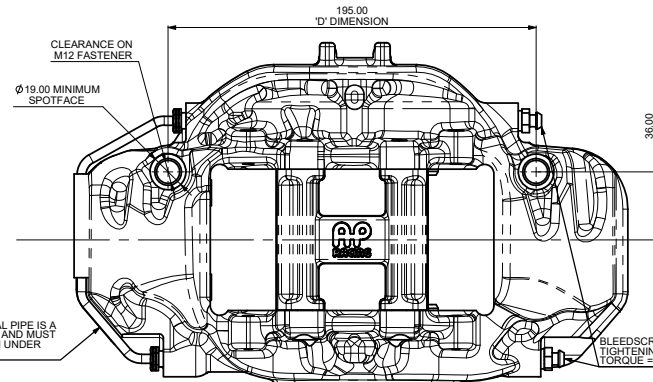
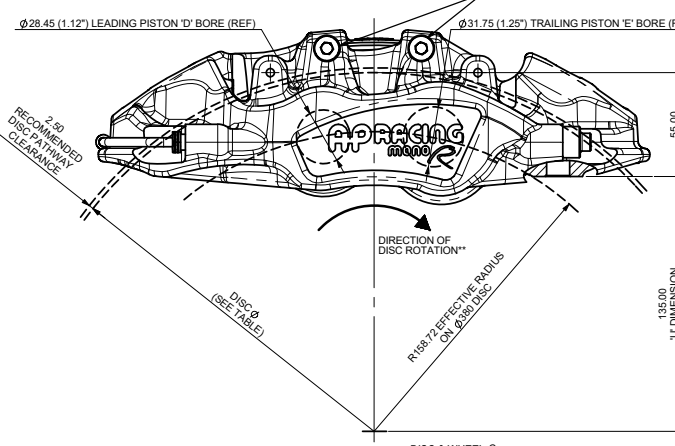
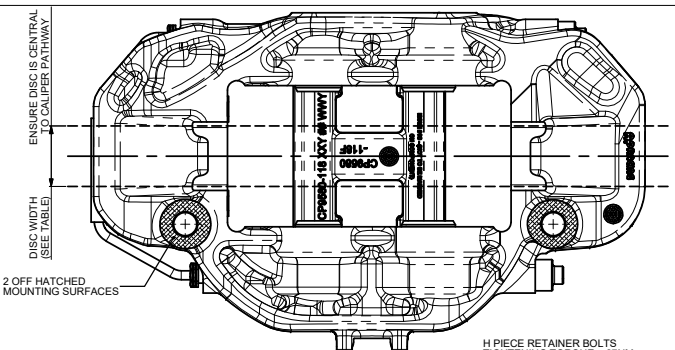


CALIPER INSTALLED PROFILE ON Ø380 DISC



CAUTION - THE EXTERNAL PIPE IS A NON-SERVICEABLE ITEM AND MUST NOT BE TAMPERED WITH UNDER ANY CIRCUMSTANCES

FEED PORT M10 x 1.0
11.00 MIN FULL THREAD.
TYPICAL TIGHTENING TORQUE:
• FITTING WITH ONE COPPER GASKET - 13NM + 45°
• FITTING WITH TWO COPPER GASKETS - 13NM + 90°
RESULTING MAX TORQUE MUST NOT EXCEED 30NM



Alterations			
Rev	Date & No.	Particulars	Drawn
1	17/06/2019 R4637_07	FIRST ISSUE	KP
2	17/06/2019 R4637_12	ANTI-COUNTERFEIT LABEL AND LASER ETCH INFORMATION ADDED COMPATIBLE DISC INFORMATION REMOVED	C18 LIS
3	18/03/2022 R4637_17	115mm WAS 280mm 59.50mm WAS 54.00mm P14.384 WAS P14.353 GVW RATING TABLE ADDED	R2 LA P4 P4 H3
4	18/08/2022 R5010_02	AVAILABLE COLOURS REMOVED FROM SPEC TABLE.	N3 DWS

SCALE 1:1	SHEET 1 OF 1
DRAWN Kite Perney	
APPROVED	
DERIVED FROM CP9580-1CD	
TITLE	
4 PISTON HPK MONOBLOC CALIPER	
<MOD-DIAM>28.45 x <MOD-DIAM>31.75 PISTON	
DRG NO.	CP9581-1CD